

Dechlorinator 1100

System Components

Media Vessel (Qty.) Size	(1) 10" x 54"
Media Vessel Construction	Wrapped Polyethylene
Empty Bed Volume	2.19 ft ³
Media	8 x 16 Mesh Acid Washed Activated Carbon Media
Media Volume	1.40 ft ³ (50 lbs.)
Bed Depth	39"
Free Board	15"
Riser Tube	1" ABS
Under bedding	0.14 ft ³ (14 lbs.) Gravel
Service Flow	Upflow

Inlet Water Quality

Pressure Range	15 – 125 psi Dynamic Pressure
Temperature Range	35 – 120° F
pH Range	5 – 10 SU
Free Chlorine Cl ₂ (Max.)	4.0 mg/L

Operating Specs

Service Flow	12.0 gpm
Dimensions (Width x Depth x Height)	10" x 10" x 54"
Weight (Operating / Shipping)	300 / 150 lbs.

Connections

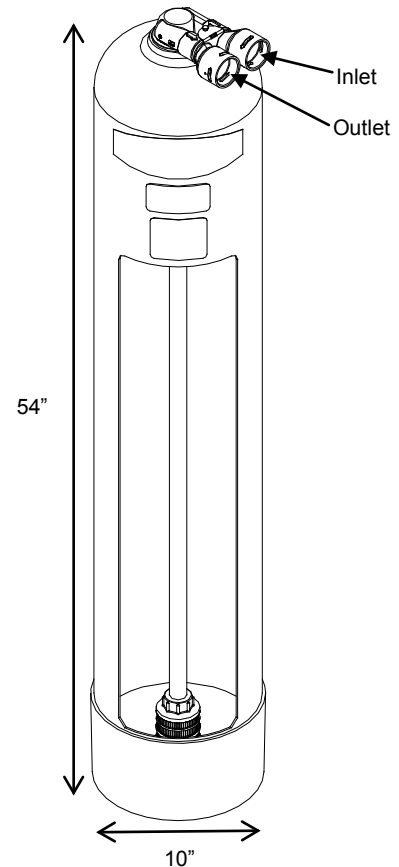
Inlet / Outlet Connections ..	1.25" Kinetico Custom Adapter and Bracket
Power	None

System Part Numbers

Dechlorinator 1100	11382A
--------------------------	--------

Estimated Carbon Effectiveness

Inlet Free Cl ₂	Gallons	Time
0.25 mg/L	625,000	36 months
0.5 mg/L	375,000	24 months
1.0 mg/L	250,000	18 months
1.5 mg/L	162,000	15 months
2.0 mg/L	100,000	12 months
3.0 mg/L	50,000	6 months
4.0 mg/L	25,000	3 months



Operating Profile

System shall remove free chlorine to less than 0.05 mg/L when operated in accordance with the operating instructions. The system shall include one tank. This simplex system is designed to operate in an upflow mode. This configuration allows the unit to run in service without the need for a backwash cycle.

Media Tanks

The tanks shall be designed for a maximum working pressure of 125 psi and hydrostatically tested at 300 psi. Tanks shall be made of polyethylene and reinforced with a fiberglass wrapping. Each tank shall include a 2.5 inch threaded top opening. Each tank shall be NSF approved. Upper and lower distribution system shall be of a slot design. Distributors will provide even flow of water.

Media

Each system shall include an activated, acid washed carbon. The media shall be between 8 and 16 Mesh in particle size.