



NON-ELECTRIC HIGH PERFORMANCE Water Conditioning Systems

Effective, Whole-House Dechlorination

- Produces water that's odor free, easy on plastic and rubber parts in water-using appliances and toilets, and better for your skin, hair and clothing
- High capacity, activated carbon bed and upflow filtration
- Can be installed alone or with other Kinetico Water Treatment Systems
- Simple, reliable and economical operation
- Installation and service by trained water treatment professionals





What Makes A Kinetico Dechlorinator/Softener Combination System Different?

Customize Your System. Choose from a variety of dechlorination and softening components to create a whole-home system that's right for your water conditions.

Flexible System. Dechlorinator can be installed alone for dechlorination only, or with a Kinetico Water Softening System. Offers a continuous supply of dechlorinated, soft water. Enables system to regenerate with dechlorinated, soft water.

Non-Electric Operation. Reliable. No timers or computers to set, adjust, repair or replace.

Efficient Chlorine Reduction. For use on any water supply where dechlorination is desired. Activated carbon adsorbs objectionable tastes and odors from chlorinated water. Reduces drying of hair and skin from chlorine. Reduces deterioration of rubber seals in fixtures and appliances.

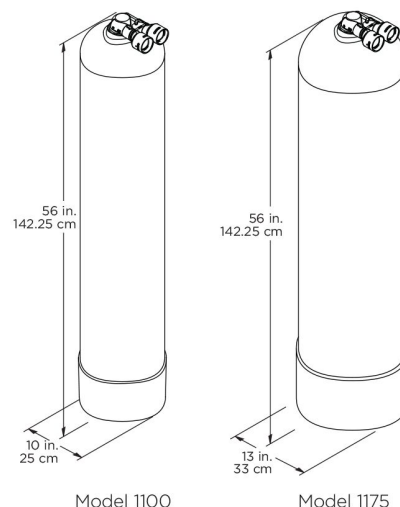
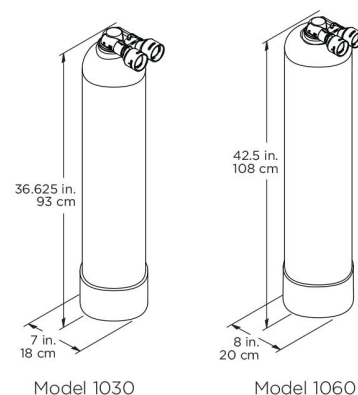
Continuous Conditioned Water. Assures consistent and continuous chlorine-free water. Protects skin and hair, clothing, plumbing and appliances.

Efficient Use of Water. No water consumption to dechlorinate.

Corrosion-Resistant Valve and Tanks. Long Lasting. Can endure harsh environments.

Automatic Operation. Just replace the activated carbon when capacity is reached, typically three to five years for a water supply with average chlorination.

Outstanding Warranty. Dependability, peace of mind.



Kinetico Model 1060 Dechlorinator Combination (additional configurations available)



Independent
Laboratory
Certification

Kinetico Dechlorinators have been Tested and Certified by the Water Quality Association (WQA) according to NSF/ANSI 42 for the reduction of Chlorine. They have also been certified to NSF/ANSI 372, Drinking Water System - Lead Content and the CSA Standard B483.1 - Drinking Water treatment Systems.